

THIS DOCUMENT CONTAINS PROPRIETARY INFORMATION WHICH IS THE PROPERTY OF QSC AUDIO PRODUCTS, THAT MAY NOT BE DISCLOSED, REPRODUCED OR USED WITHOUT EXPRESS WRITTEN CONSENT FROM QSC AUDIO PRODUCTS.

REVISION				
REV	DESCRIPTION	EFF. DATE	CHK	APPROVED / DATE
A	PRODUCTION RELEASE PER ECO 4745 AA	11-01-01	PHQ	

WORKING FILE, MUTING CIRCUIT REVISIONS 11-12-01, PHQ

REVISION LIST
 ---CHANGE VALUES---
 R15 WAS 464K, IS 910K
 R18 WAS 121K, IS 150K
 R18 WAS 220K, IS 330K
 ---DELETE PARTS AND TRACES---
 C12, D14, O4, O5, O11, O12, R19, R22
 ---CHANGE TRACE CONNECTIONS---
 REROUTE Q1 COLLECTOR TO C8
 ---ADD NEW PARTS AND CIRCUITS---
 D16, D17, SMT 4148
 Q13, Q14, SMT 3904
 Q15, SMT 3900
 Q16, THRU-HOLE 2N3906
 Q17, THRU-HOLE 2N3904
 R31, R32, R33, R34, SMT 0805, 10K
 R35, SMT 0805, 24K

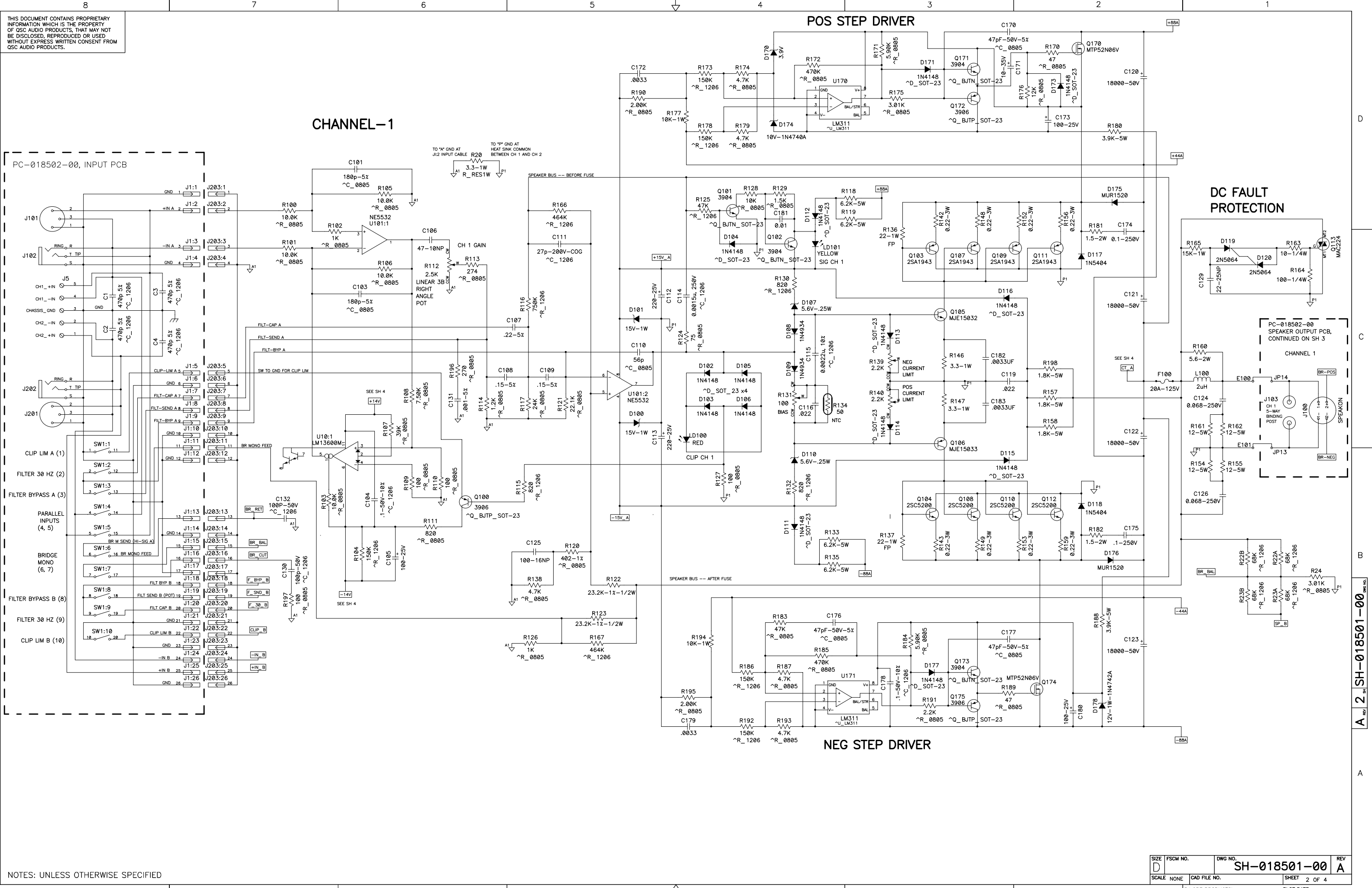
11. ZENER TOLERANCE IS 5%
10. SMT CAPACITOR VOLTAGE IS 50V
9. SMT RESISTOR WATTAGE RATING IS 0.1W
8. RESISTOR WATTAGE RATING IS 1/4W
FOR RESISTOR WATTAGE RATINGS GREATER THAN 1W, TOLERANCE IS 5%
FOR RESISTOR WATTAGE RATINGS LESS THAN 1/2W, TOLERANCE IS 1%
7. THROUGH-HOLE FILM AND CERAMIC CAPACITOR TOLERANCE IS 10%, VOLTAGE IS 100V
6. ELECTROLYTIC CAPACITOR TOLERANCE IS 20%
5. J104, J204 ARE CONNECTED PIN TO PIN BY 13-LINE RIBBON CABLE.
4. PART NUMBERING SCHEME
PARTS IN COMMON TO BOTH CH: 1-99. CH 1 PARTS 101-199, CH 2 PARTS 201-299.
3. COMPONENTS MARKED WITH Δ ARE SAFETY CRITICAL PARTS.
2. COMPONENTS WITH VALUE PREFIXED WITH A "*" REPRESENT SMT COMPONENTS.
1. THIS DRAWING USED IN CONJUNCTION WITH ASSEMBLY WP-018501-00

NOTES: UNLESS OTHERWISE SPECIFIED

QTY	ITEM NO.	PART NO.	DESCRIPTION	VENDOR
PARTS LIST				
UNLESS OTHERWISE SPECIFIED DIMENSIONS ARE IN INCHES. DIMENSIONS PER ANSI Y14.5-1982			CONTRACT NO.	
TOLERANCES ARE: DECIMALS DECIMALS ANGLES .xx ± .xxx ± °			APPROVALS DATE	
DEBURR EDGES .XXX R MAX			DRAWN A. ARANDA 3-16-01	
MATERIAL			CHECKED PHQ 11-02-01	
WP-018501-00	RMX 1850HD	FINISH	ISSUED	
NEXT ASSY	USED ON		SIZE D FSCM NO.	
APPLICATION		DO NOT SCALE DRAWING	DWG NO. SH-018501-00	
			REV A	
			SCALE NONE	
			CAD FILE NO. SH1851RB.SCH	
			SHEET 1 OF 4	
			P:\RMX\QSC\RMX1850	
			PLOT DATE: Thu Mar 21, 2002	

A SH-018501-00

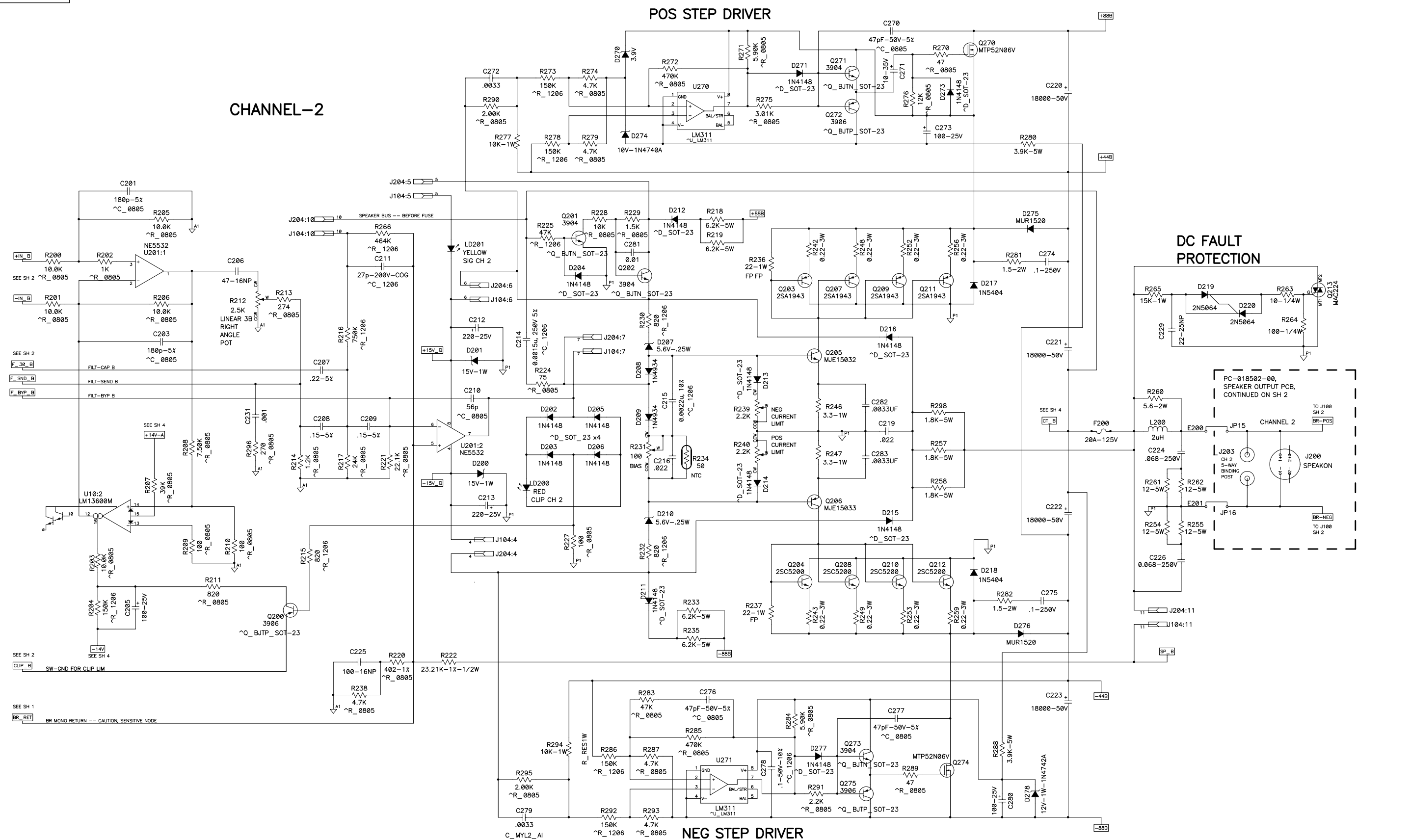
THIS DOCUMENT CONTAINS PROPRIETARY INFORMATION WHICH IS THE PROPERTY OF QSC AUDIO PRODUCTS, THAT MAY NOT BE DISCLOSED, REPRODUCED OR USED WITHOUT EXPRESS WRITTEN CONSENT FROM QSC AUDIO PRODUCTS.



NOTES: UNLESS OTHERWISE SPECIFIED

SIZE D	FSCM NO.	DWG NO. SH-018501-00	REV A
SCALE NONE	CAD FILE NO.	SHEET 2 OF 4	
P:\NGPE PRODUCTS\RMX-SERIES\QSC\2450		PLOT DATE: Thu Mar 21, 2002	

THIS DOCUMENT CONTAINS PROPRIETARY INFORMATION WHICH IS THE PROPERTY OF QSC AUDIO PRODUCTS, THAT MAY NOT BE DISCLOSED, REPRODUCED OR USED WITHOUT EXPRESS WRITTEN CONSENT FROM QSC AUDIO PRODUCTS.



NOTES: UNLESS OTHERWISE SPECIFIED

SIZE	FSCM NO.	DWG NO.	REV
D		SH-018501-00	A
SCALE	CAD FILE NO.	SHEET	
NONE	SH1851RB.SCH	3 OF 4	

PLOT DATE: Thu Mar 21, 2002

THIS DOCUMENT CONTAINS PROPRIETARY INFORMATION WHICH IS THE PROPERTY OF QSC AUDIO PRODUCTS, THAT MAY NOT BE DISCLOSED, REPRODUCED OR USED WITHOUT EXPRESS WRITTEN CONSENT FROM QSC AUDIO PRODUCTS.

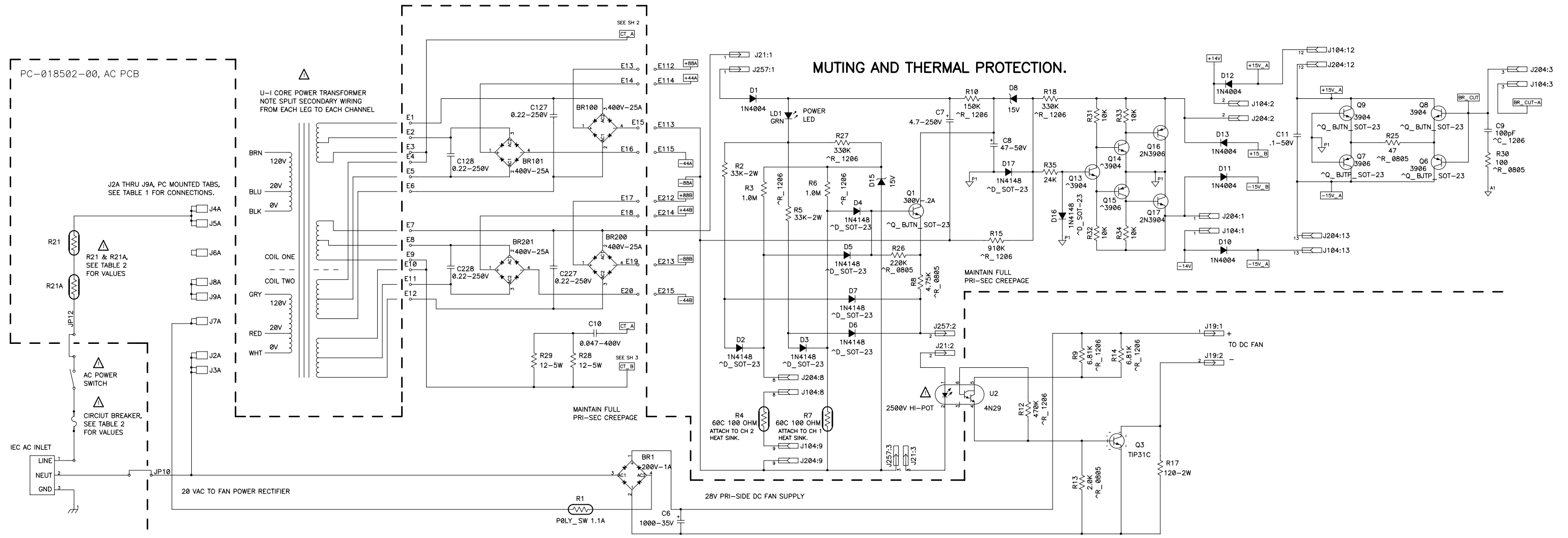


TABLE 1

POWER TRANSFORMER PRIMARY LEAD COLOR	AC LINE VOLTAGE			TAB
	100V	120V	240V	
BRN	BRN	BRN		J4A
GRY	GRY	-		J5A
BLK	BLU	BLU		J6A
-	-	BLK		J8A
-	-	GRY		J9A
WHT	RED	RED		J7A
BLU	BLK	-		J2A
RED	WHT	WHT		J3A

TABLE 2

	AC LINE VOLTAGE		
	100V	120V	240V
CIRCUIT BREAKER	15A-125V	15A-125V	7.5A-250V
R21	1 OHM 30A	1 OHM 30A	4 OHM 15A
R21A	0 OHM (JUMPER)	0 OHM (JUMPER)	4 OHM 15A

NOTES: UNLESS OTHERWISE SPECIFIED

A SH-018501-00